

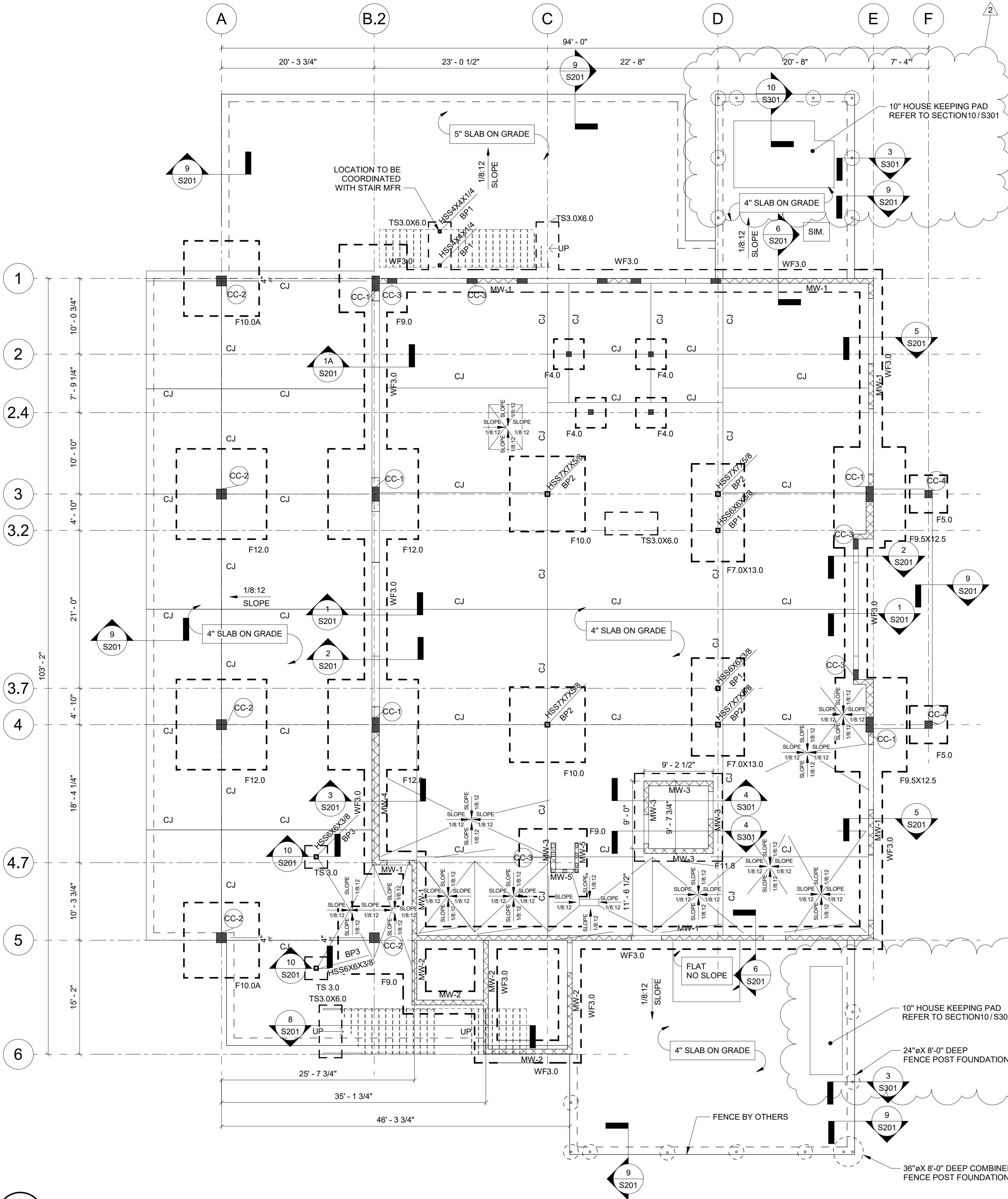
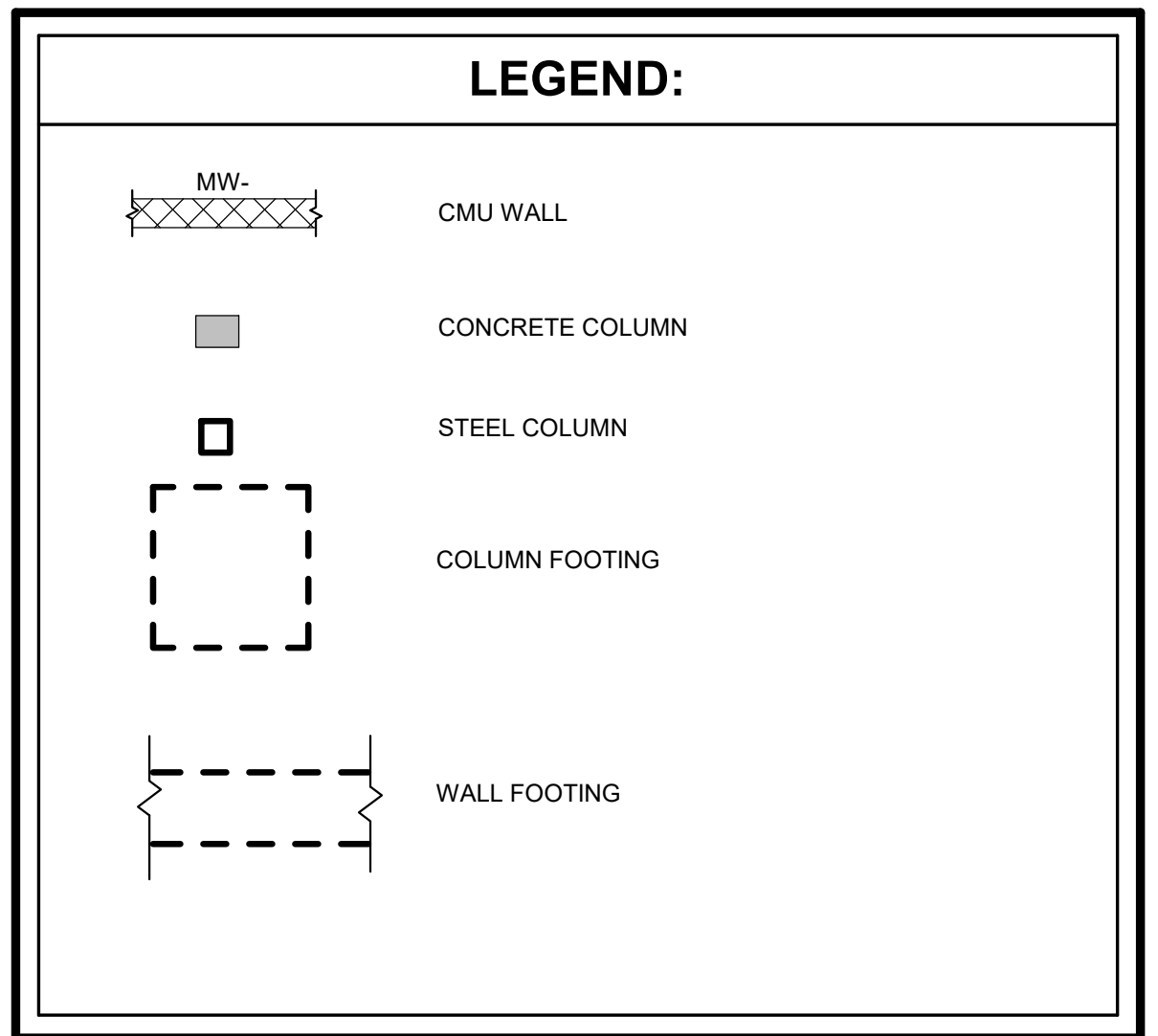
FOUNDATION SCHEDULE				
MARK	LENGTH	WIDTH	THICKNESS	REINFORCEMENT
F4.0	4'-0"	4'-0"	18"	#6 EW BOTT.
F5.0	5'-0"	5'-0"	18"	#6 EW BOTT.
F7.0X13.0	13'-0"	7'-0"	18"	#6 @ 12" O.C. EW TOP & BOTT.
F9.0	9'-0"	9'-0"	18"	10#6 EW BOTT.
F9.5X12.5	9'-6"	12'-6"	18"	#6 @ 12" OC EW BOTT.
F10.0	10'-0"	10'-0"	18"	11#6 EW TOP & BOTT.
F10.0A	10'-0"	10'-0"	18"	11#6 EW BOTT.
F11.8	11'-8"	11'-8"	18"	#5 @ 12" O.C. TOP & BOTT.
F12.0	12'-0"	12'-0"	18"	13#7 EW BOTT.
TS3.0X6.0	7'-0"	3'-0"	18"	#6 @ 12" OC EW BOTT.
TS 3.0	3'-0"	3'-0"	16"	#6 @ 12" OC EW BOTT.

WALL FOUNDATION SCHEDULE			
MARK	WIDTH	THICKNESS S	REINFORCEMENT
WF3.0	3'-0"	18"	4 #6 x CONT, #6@12" TRANSVERSE

MASONRY WALL SCHEDULE			
MARK	TYPE	REINFORCEMENT	COMMENTS
MW-1	8" CMU	#7 @ 24" OC	
MW-2	8" CMU	#5 @ 24" OC	
MW-3	8" CMU	#5 @ 32" OC	ELEVATOR SHAFT FULLY GROUTED
MW-4	12" CMU	(2) #6 @ 24" OC	
MW-5	6" CMU	#5 @ 16" OC	

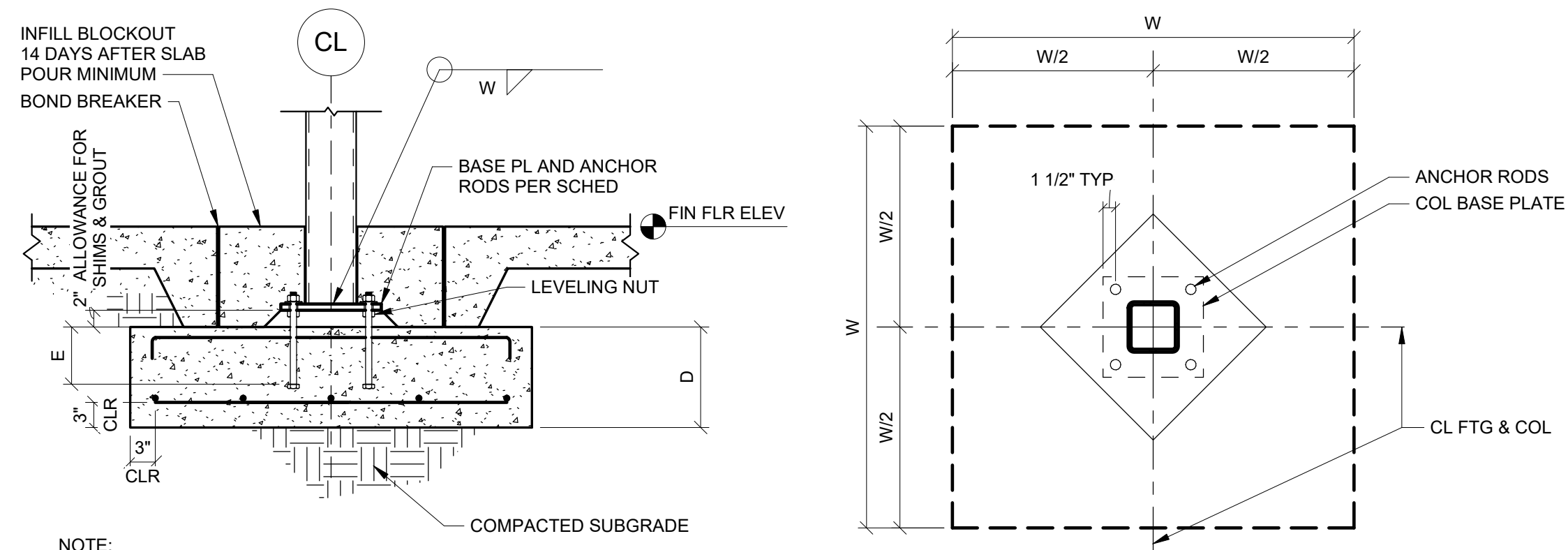
BASE PLATE SCHEDULE			
MARK	SIZE	ANCHOR	REMARKS
BP1	3/4" THKX12"X12"	(4) 3/4" Ø X 12" EMBED	HEADED ANCHOR BOLTS
BP2	3/4" THKX14"X14"	(4) 3/4" Ø X 12" EMBED	HEADED ANCHOR BOLTS
BP3	5/8" THKX14"X14"	(4) 3/4" Ø X 6" EMBED	HEADED ANCHOR BOLTS

- FOUNDATION PLAN NOTES**
- TOP OF SLAB EL. +0'-0" U.O.N. RELATIVE TO DATUM ELEV. REFER TO CIVIL DWGS.
 - TOP OF FOOTING ELEVATIONS (TFE) SHALL BE [-2'-0"] U.O.N ON PLAN.
 - SLAB ON GRADE LOCATION & THICKNESS SHOWN ON PLAN. ALL SLABS SHALL BE REINFORCED W/ 4x4-W4.0xW4.0 W.W.R OVER 10 MIL VAPOR RETARDER.
 - ALL DIMENSIONS SHALL BE COORDINATED WITH ARCHITECT DWGS. PRIOR TO INSTALLATION OF ANY FOUNDATION WORK.



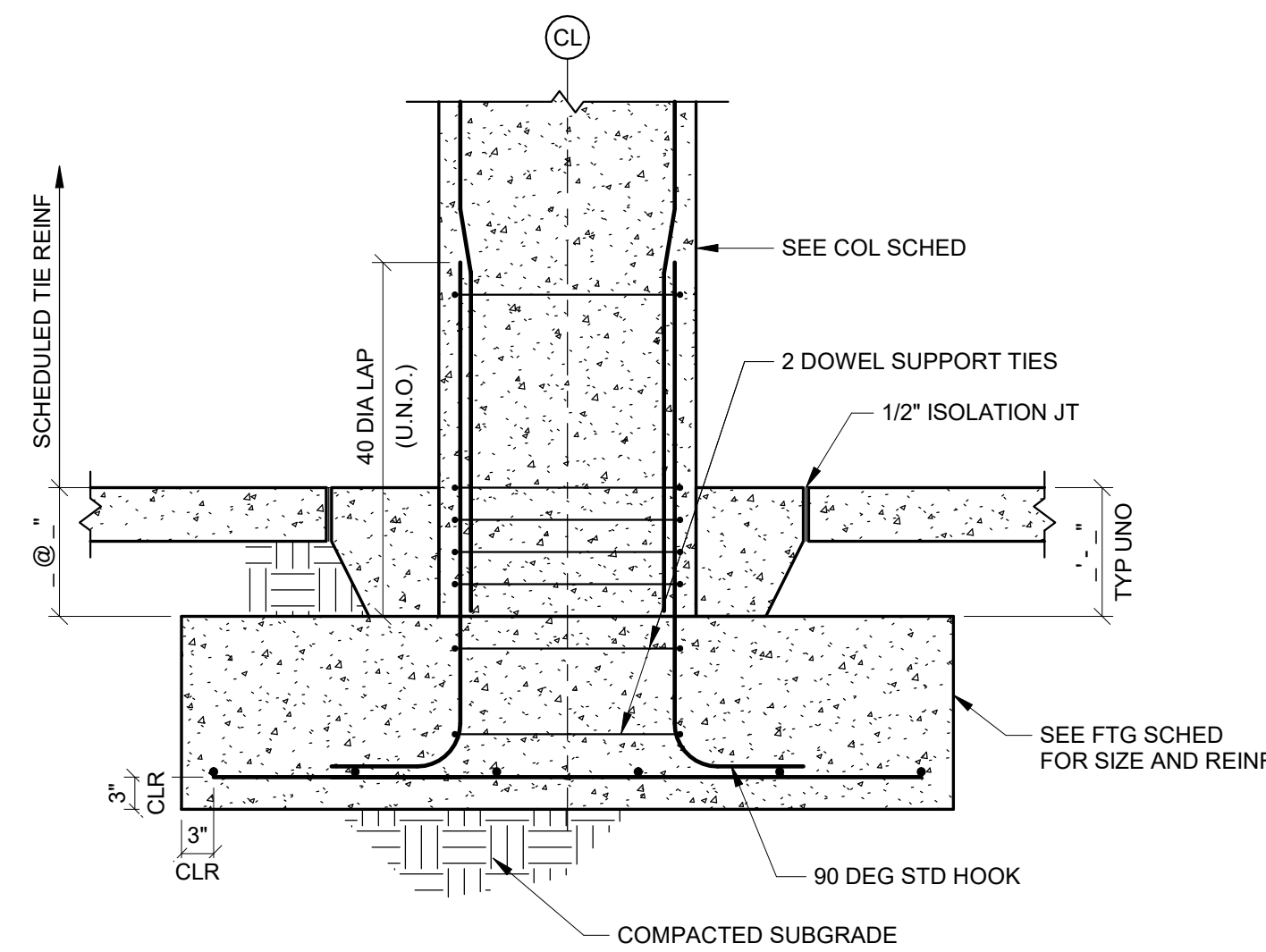
1 FIRST FLOOR
1/8" = 1'-0"

BIM 360://21005_Par-3 Golf Clubhouse/21005 Par-3 Golf Clubhouse_Structural.rvt

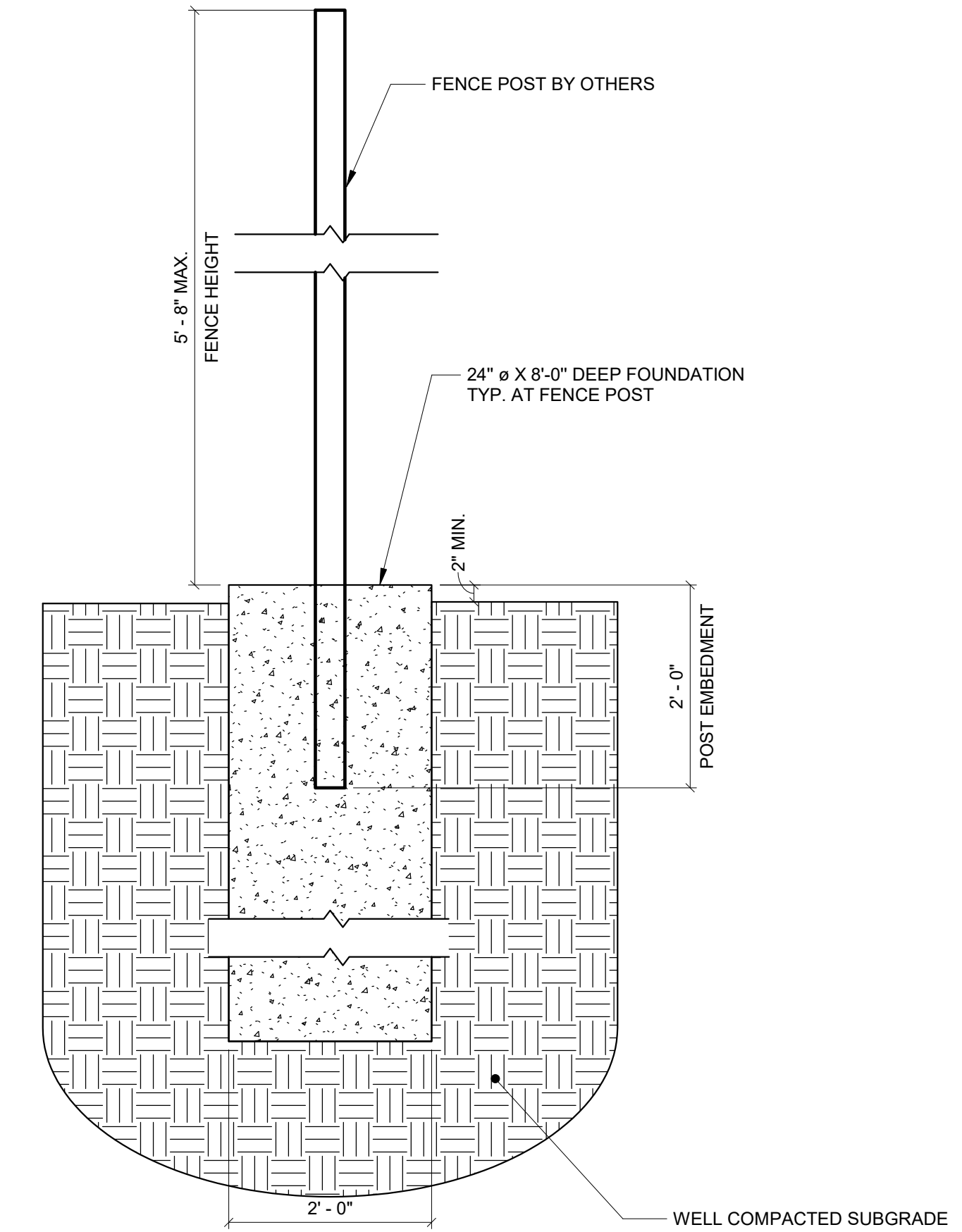


NOTE:
1. SEE FOOTING SCHEDULE FOR W, D AND REINFORCING STEEL.
2. THICKEN FOOTING AS REQ'D TO PROVIDE 3" COVER AT BOT OF ANCHOR ROD.

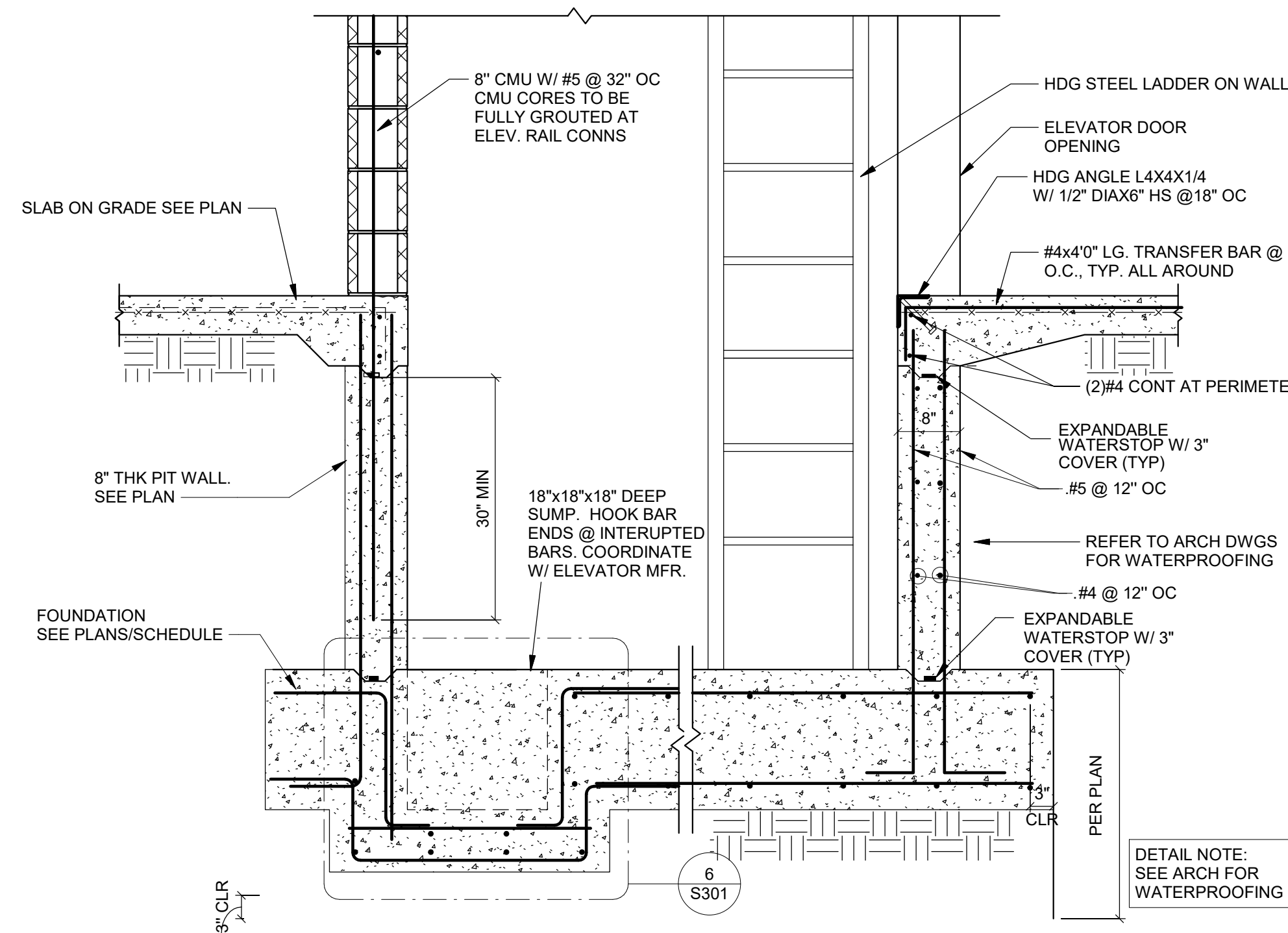
1 INTERIOR STEEL COLUMN BASE DETAIL
SCALE: 3/4" = 1'-0"



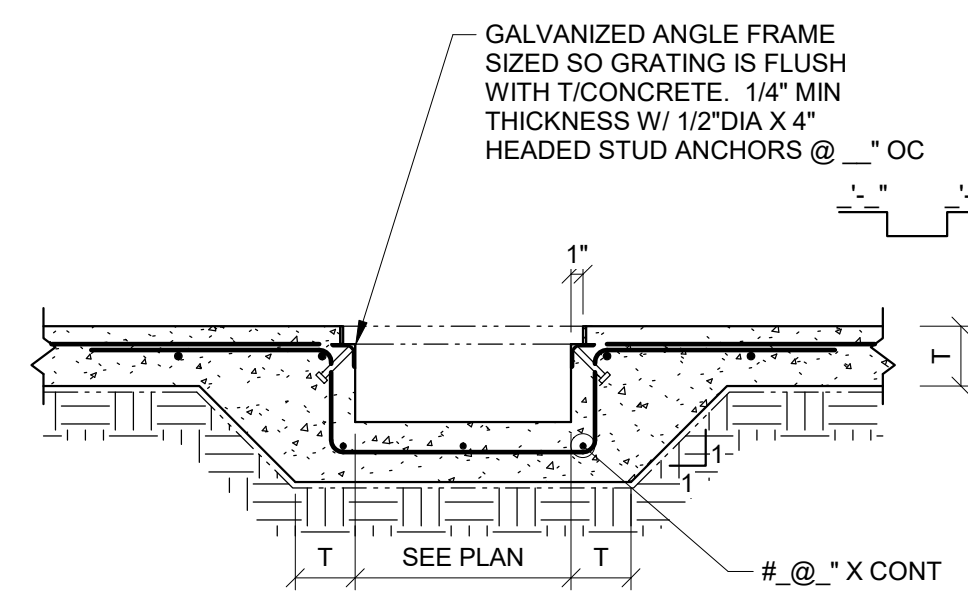
2 CONCRETE COLUMN ON SPREAD FOOTING
SCALE: 3/4" = 1'-0"



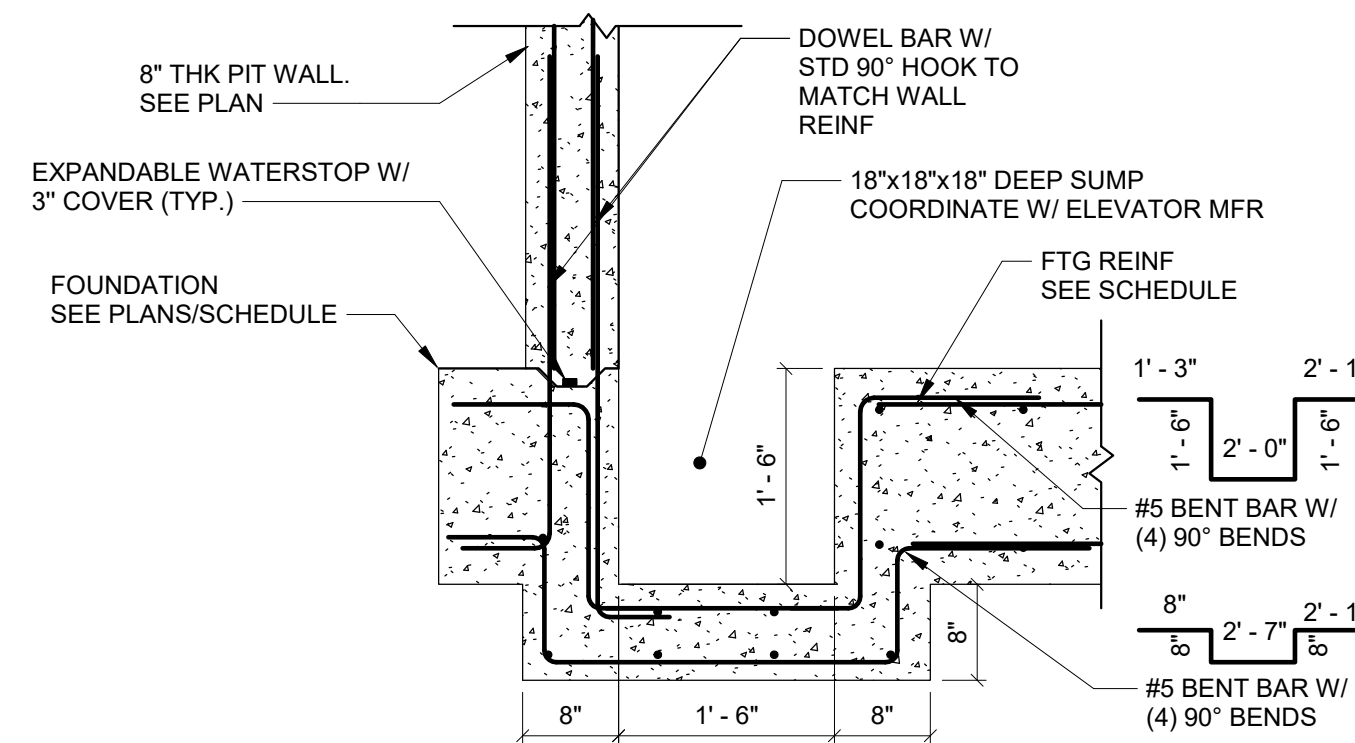
3 CHAIN LINK FENCE POST FOUNDATION
SCALE: 3/4" = 1'-0"



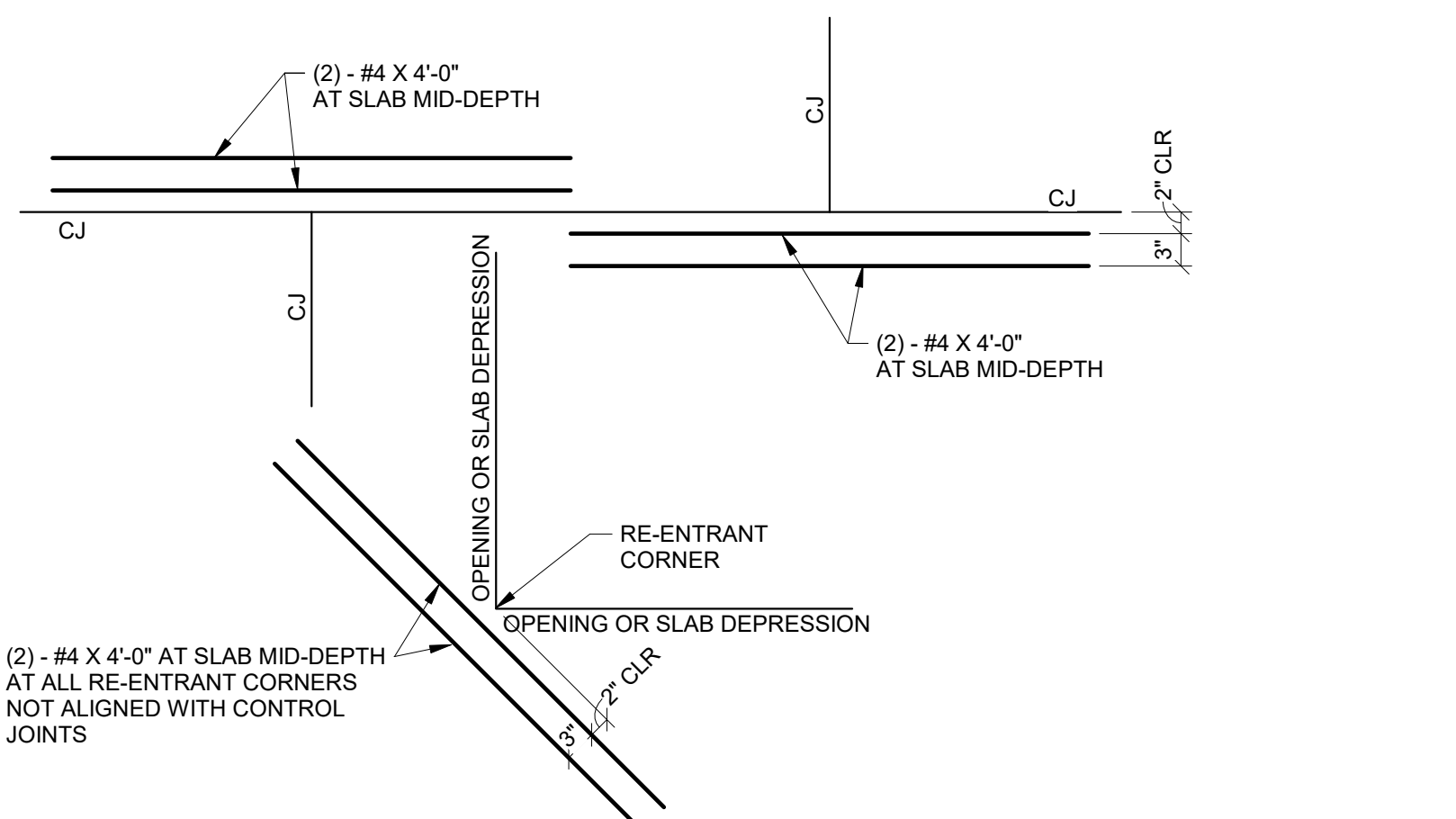
4 ELEVATOR PIT SECTION
SCALE: 3/4" = 1'-0"



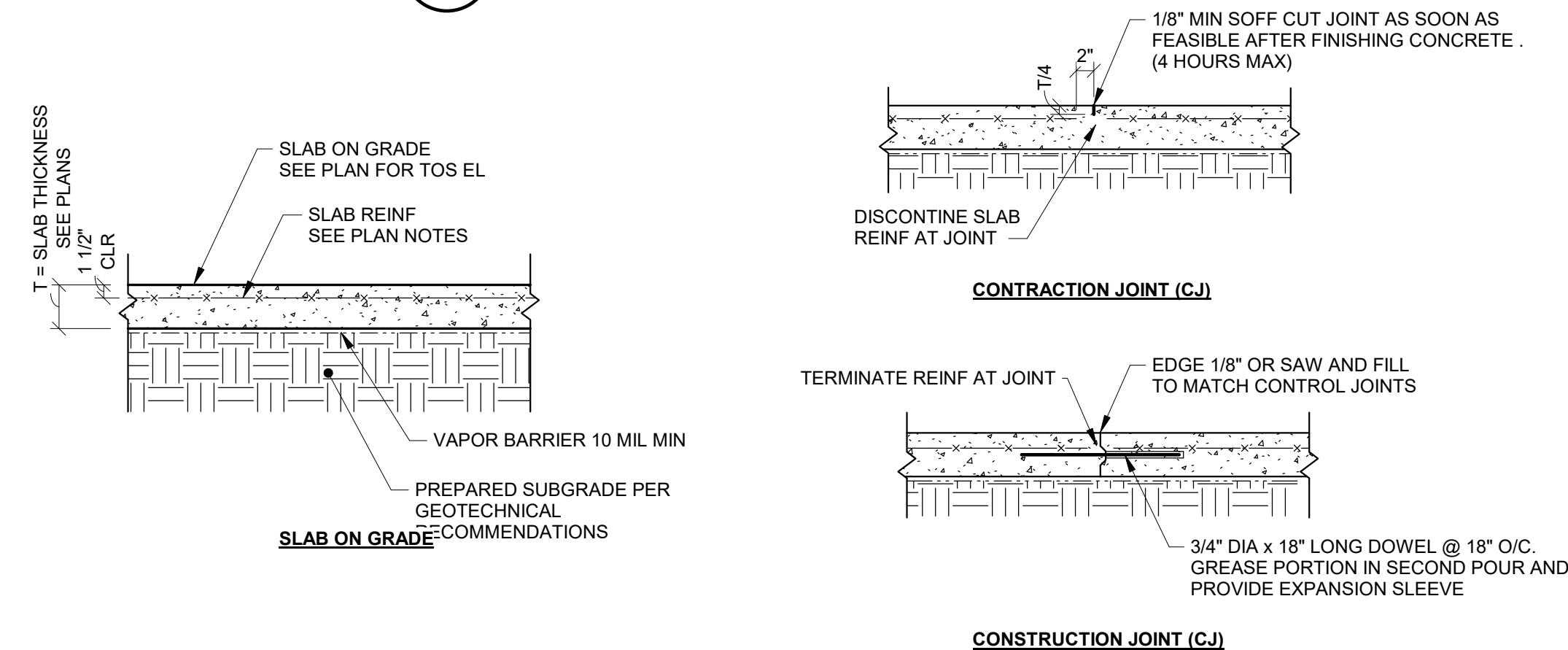
5 TYPICAL TRENCH DRAIN DETAIL
SCALE: 3/4" = 1'-0"



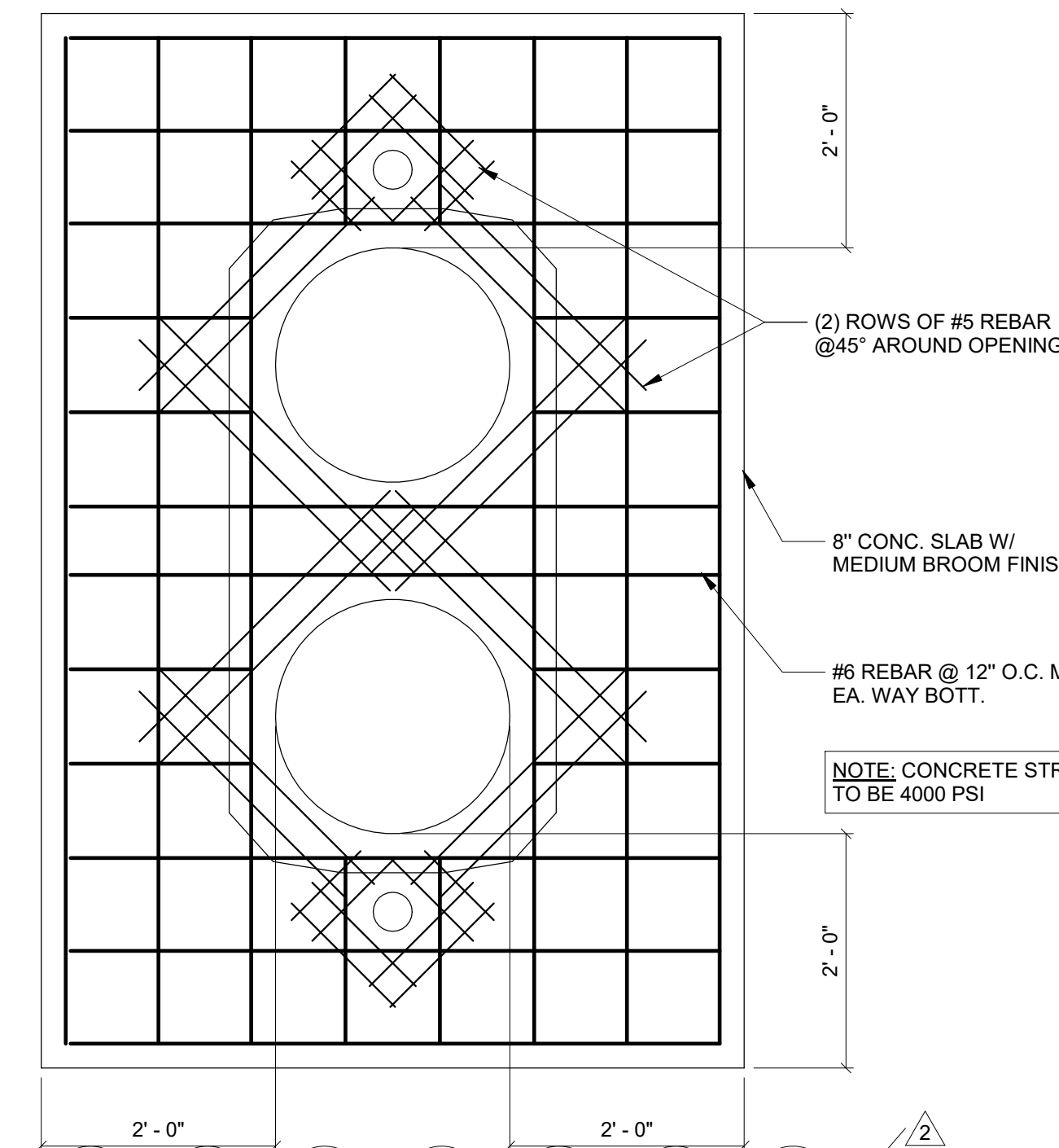
6 SUMP PIT SECTION
SCALE: 3/4" = 1'-0"



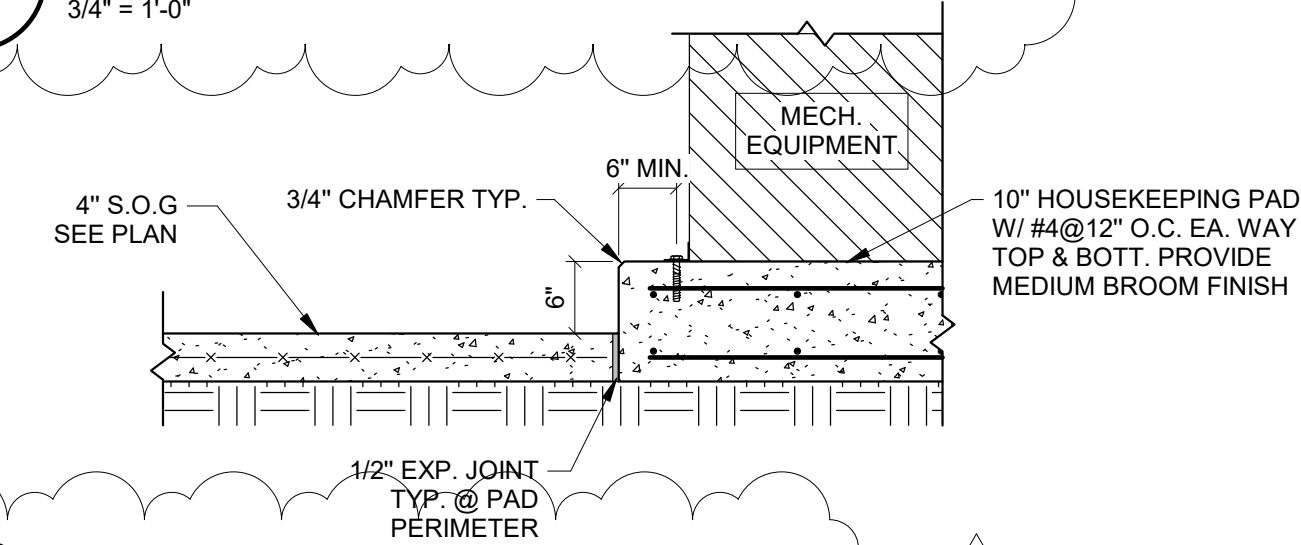
8 PLAN VIEW - RE-ENTRANT CORNER REQUIRED REINFORCING
SCALE: 3/4" = 1'-0"



9 TYPICAL SLAB ON GRADE DETAILS
SCALE: 3/4" = 1'-0"



7 GREASE INTERCEPTOR PLAN VIEW
SCALE: 3/4" = 1'-0"



10 HOUSEKEEPING PAD DETAIL
SCALE: 3/4" = 1'-0"

NO. DATE: TITLE/PURPOSE:

2 7/1/2021 BID ADDENDUM #2

SCALE: 3/4" = 1'-0"

ISSUE DATE: 7/1/2021

PROJECT #: 21005

TITLE: TYPICAL CONCRETE DETAILS

SHEET #:

S301