

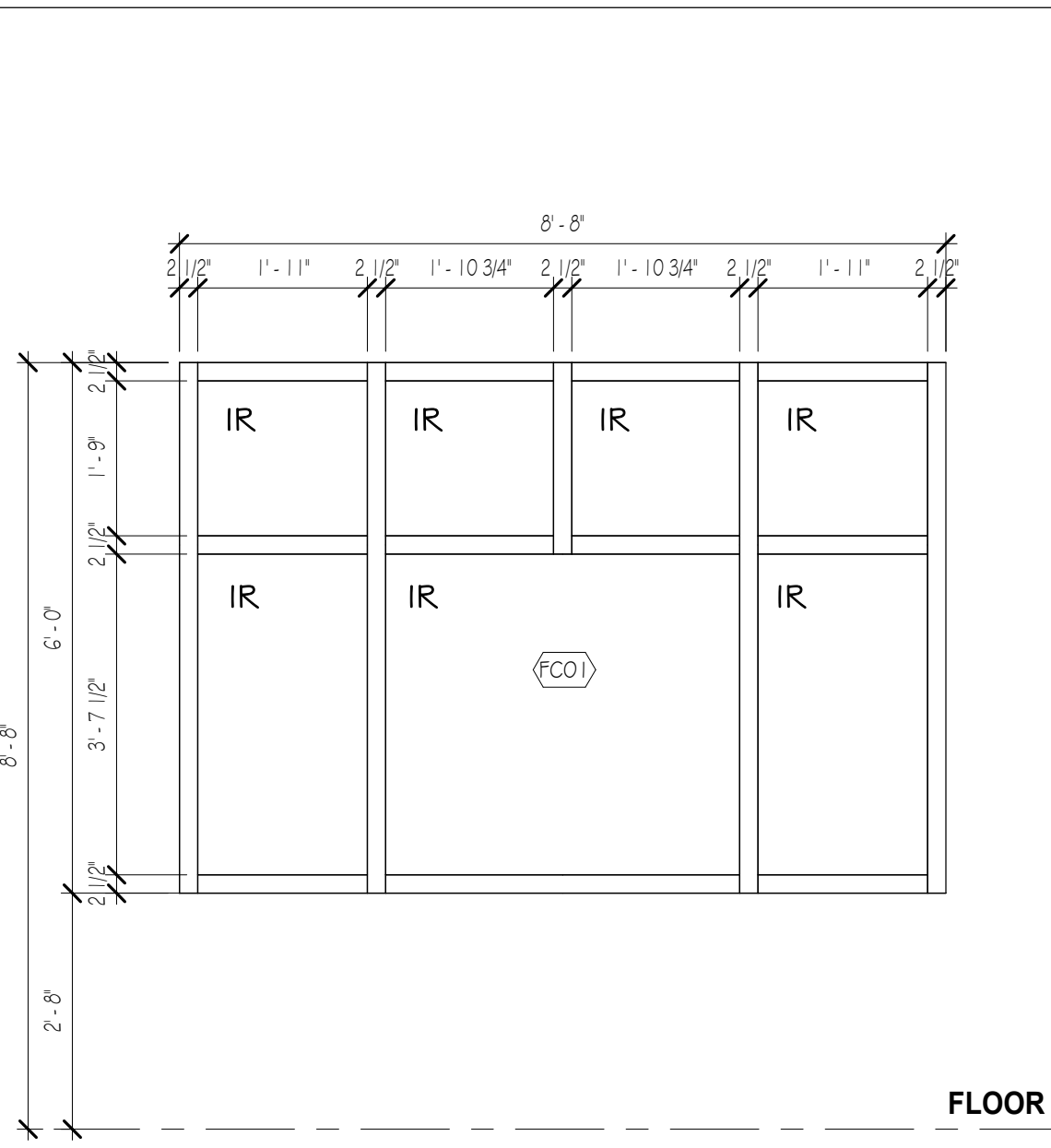


2295 S HIWASSEE RD
SUITE 310
ORLANDO, FL 32835
T: 407.992.0470
www.olcdesigns.com

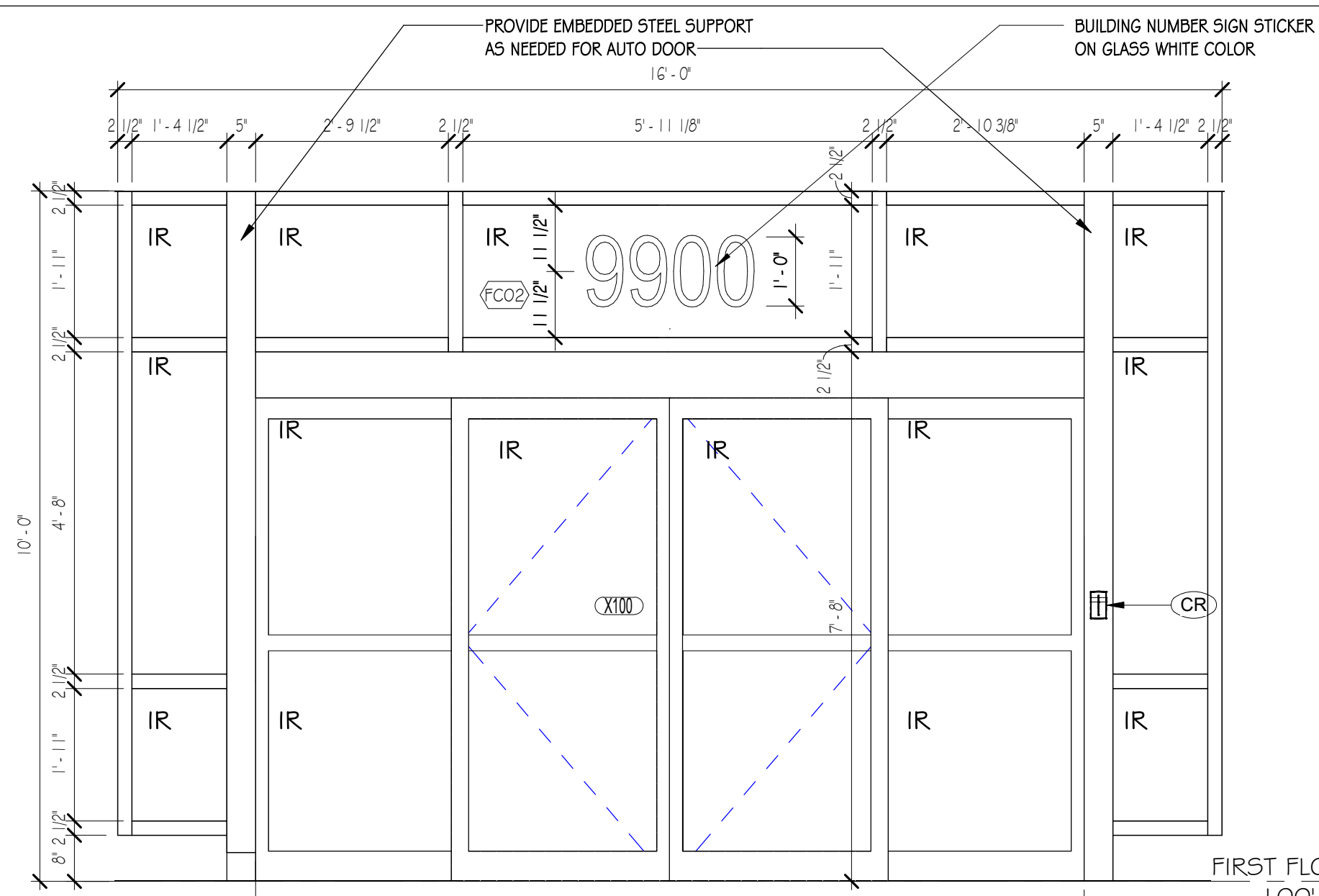


05/28/2021

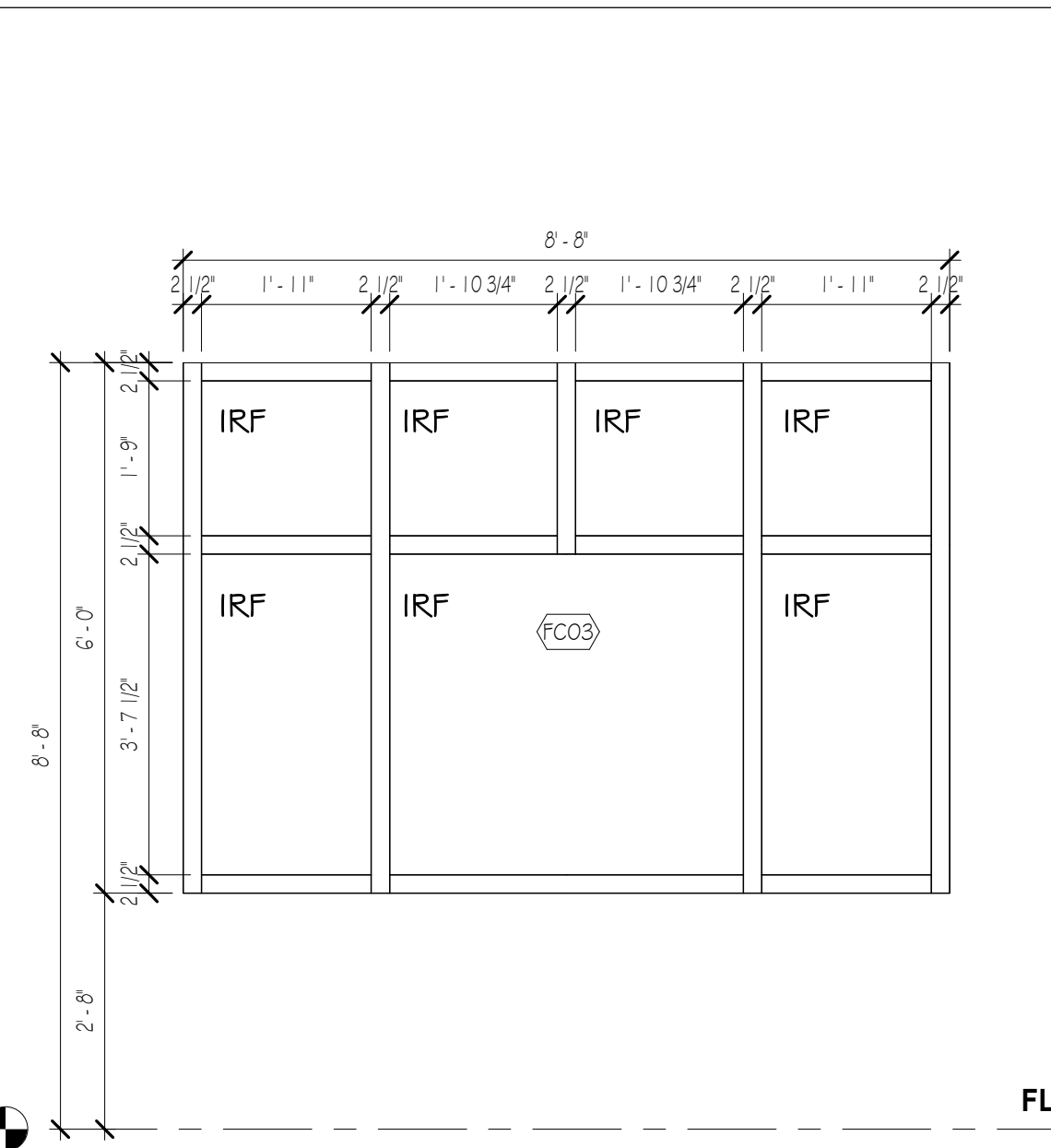
PAR-3 GOLF CLUBHOUSE
PALM BEACH GARDENS, FL



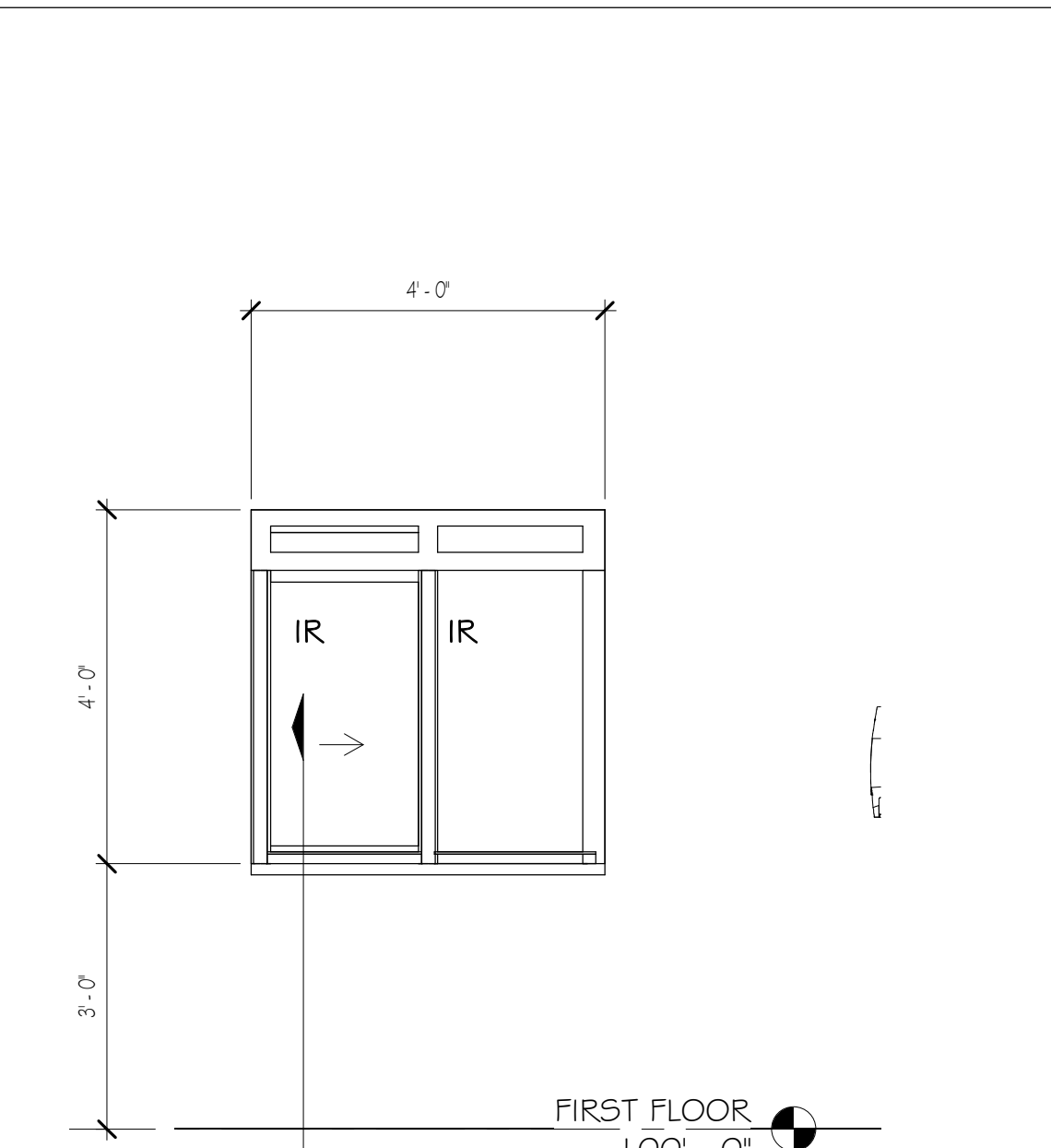
1 FC01 ELEV. HURRICANE RESISTANT ALUMINUM FRAME BASES OF DESIGN YKK - YHS 50 FI COMPLIES WITH LARGE MISSILE LEVEL (D)
1/2" = 1'-0"



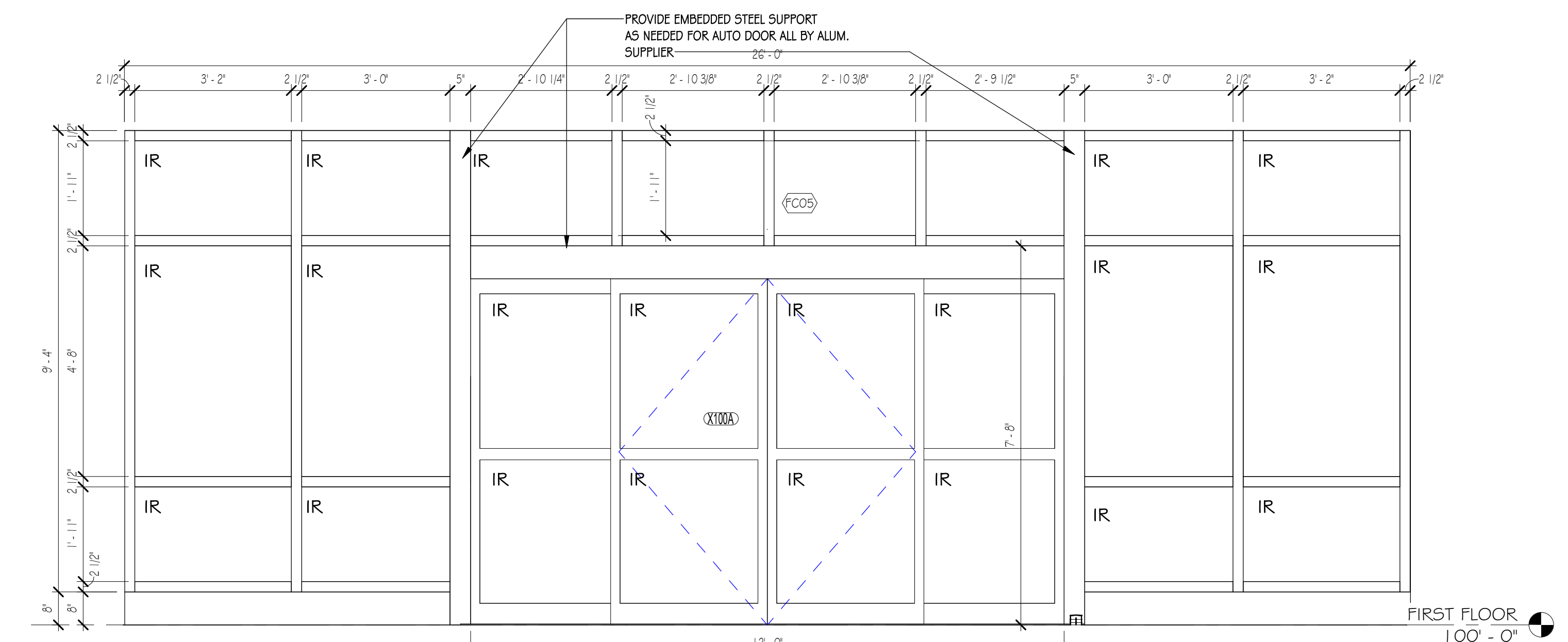
2 FC02 ELEV. ALUM. IMPACT RESISTANT SYSTEM
1/2" = 1'-0"



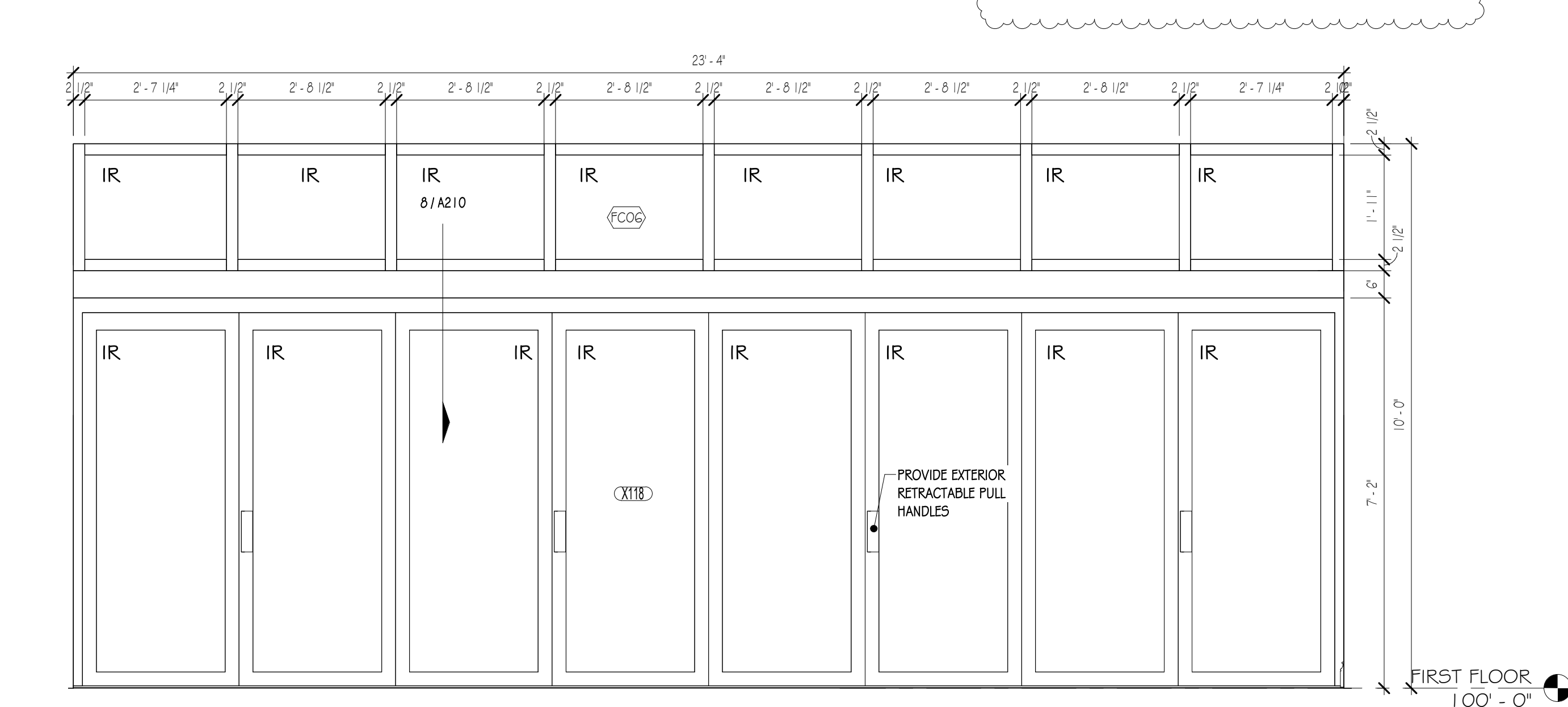
3 FC03 ELEV. ALUM. IMPACT RESISTANT SYSTEM
1/2" = 1'-0"



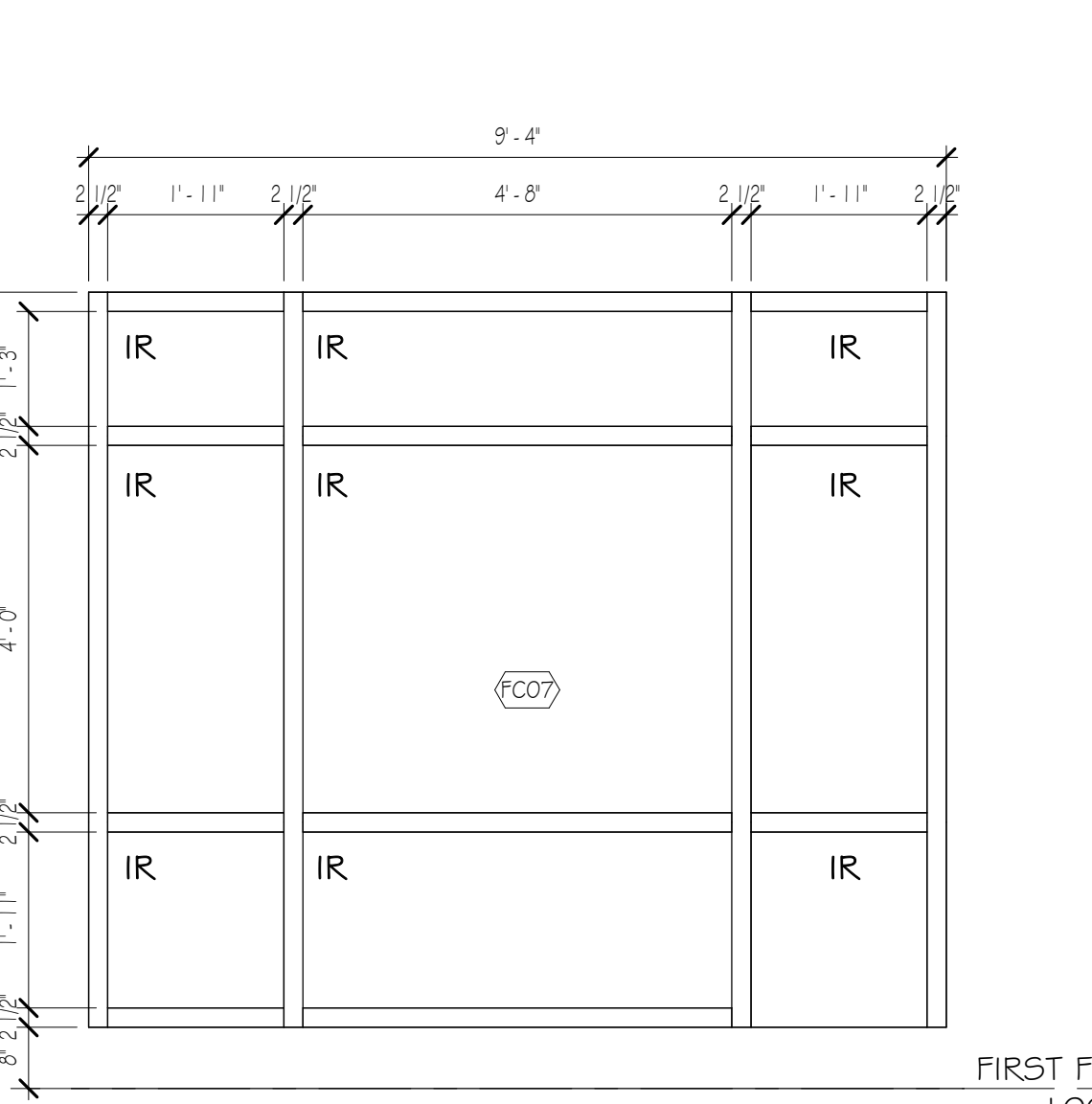
9 FC04 ELEV. ALUM. IMPACT RESISTANT SLIDING TRANSACTION LOCKABLE WINDOW BASES OF DESIGN READY ACCESS 600 SINGLE PANEL SLIDING TRANSACTION WINDOW 3/4" INSULATED, HURRICANE GLAZING LEVEL D
1/2" = 1'-0"



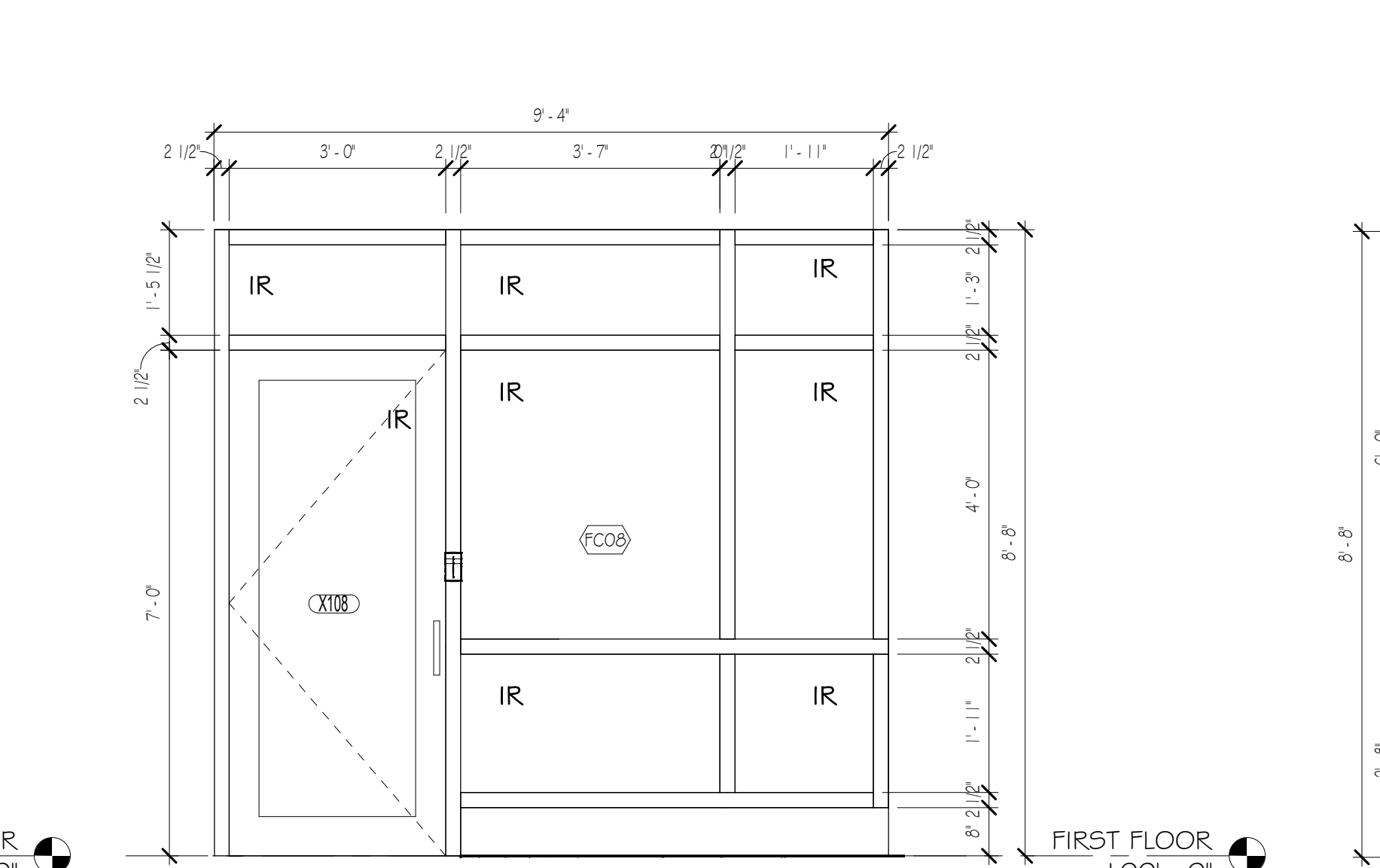
4 FC05 ELEV. ALUM. IMPACT RESISTANT SYSTEM
1/2" = 1'-0"



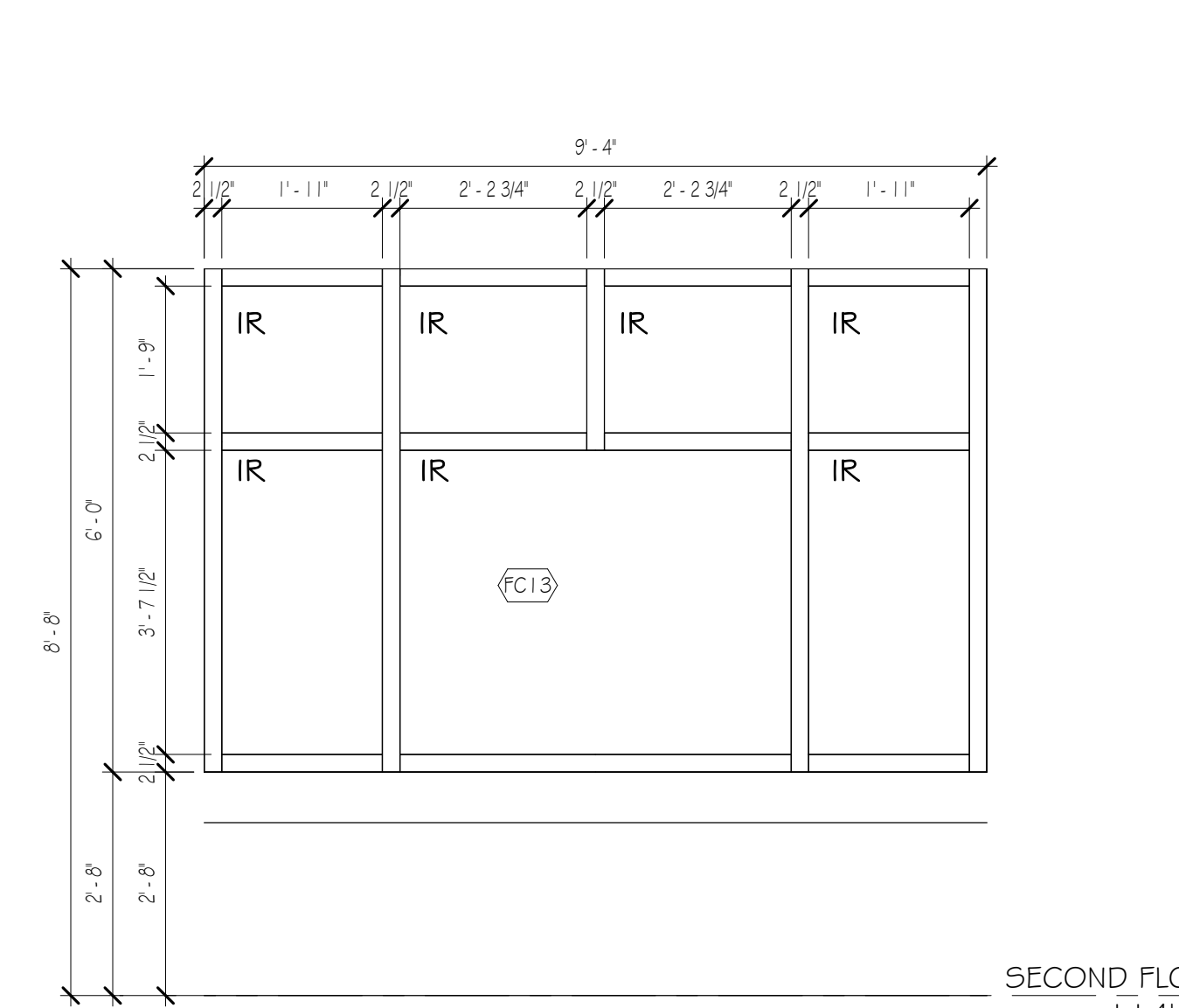
5 FC06 ELEV. ALUM. IMPACT RESISTANT SYSTEM
1/2" = 1'-0"



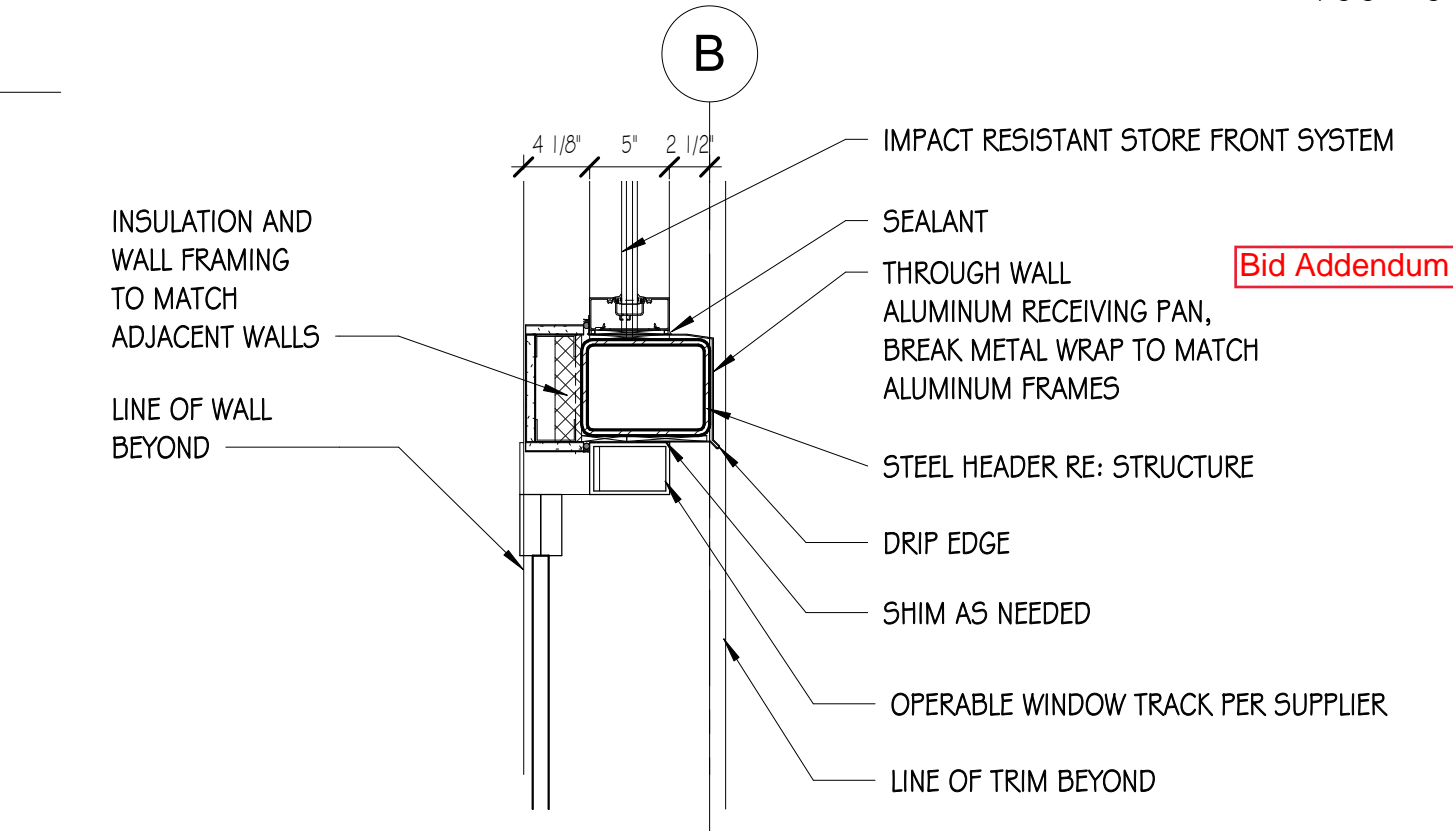
7 FC07 ELEV. ALUM. IMPACT RESISTANT SYSTEM
1/2" = 1'-0"



6 FC08 ELEV. ALUM. IMPACT RESISTANT SYSTEM
1/2" = 1'-0"



10 FC13 ELEV. ALUM. IMPACT RESISTANT SYSTEM
1/2" = 1'-0"



8 OPERABLE WINDOW HEAD DETAIL
1" = 1'-0"

GLASS SCHEDULE

GLASS TYPE	DESCRIPTION	REMARKS
IR	1 5/16" HURRICANE-GRADE INSULATED LAMINATED GLASS W/LOW E & ARGON GAS	LEVEL (D)
IRF	1 5/16" HURRICANE GRADE INSULATED, TRANSLUCENT LAMINATED GLASS W/LOW E & ARGON GAS	LEVEL (D)
F	1/4" CLEAR FLOAT GLASS	
T	1/4" CLEAR FLOAT GLASS, TEMPERED	

- FRAME TYPE NOTES**
- FIELD VERIFY ALL OPENINGS PRIOR TO FABRICATION.
 - FRAMING MUST BE CAULKED AT FLOOR AND ROOF DECK, AND AROUND ANY WALL PENETRATIONS

GLAZING TYPE
1/4" = 1'-0"

NO.	DATE	TITLE/PURPOSE
7	07/16/2021	ADDENDUM 7

SCALE: As indicated
ISSUE DATE: 06/08/2021
PROJECT #: 21005
TITLE: INTERIOR & EXTERIOR FRAMES
SHEET #: **A210**